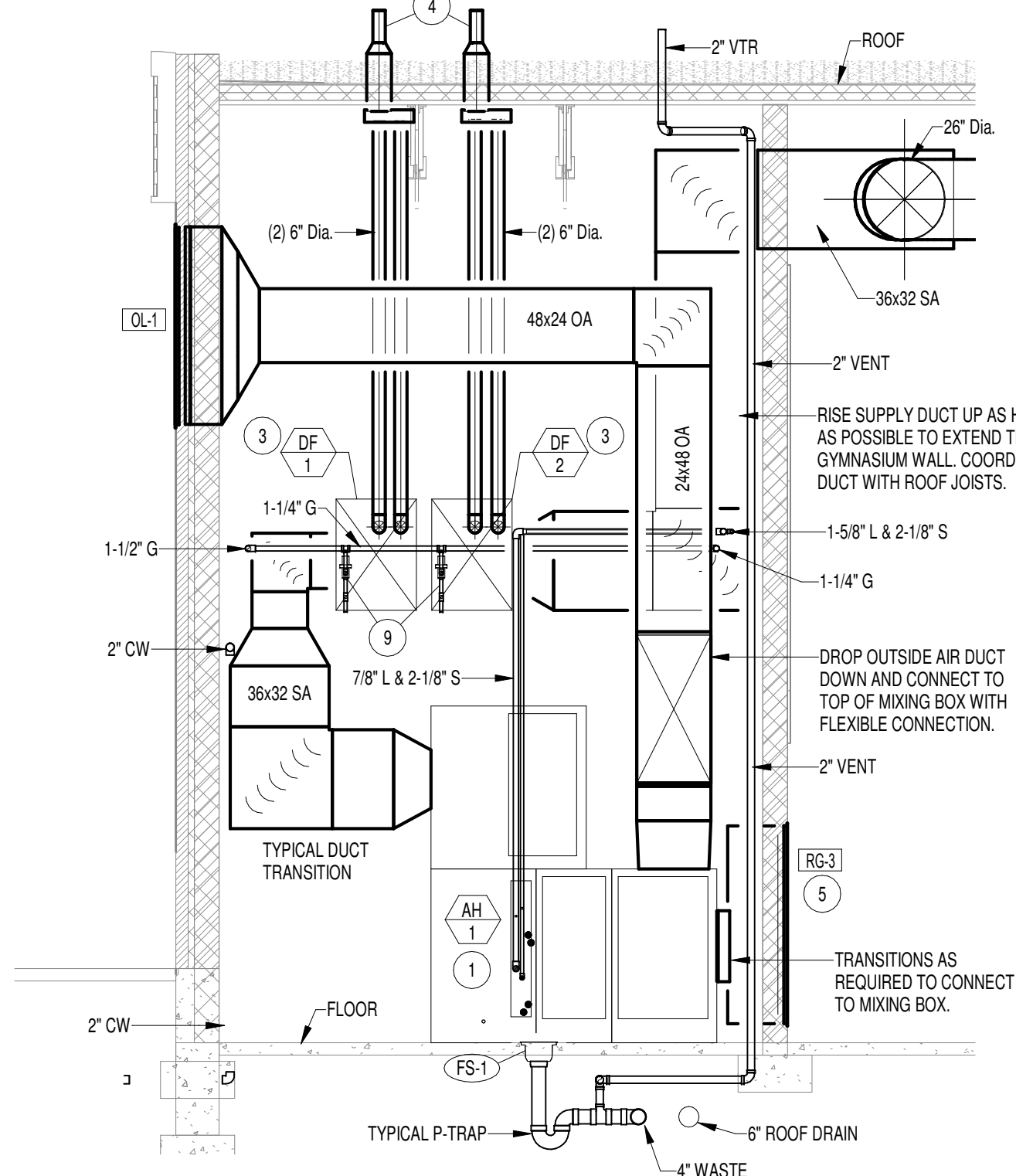
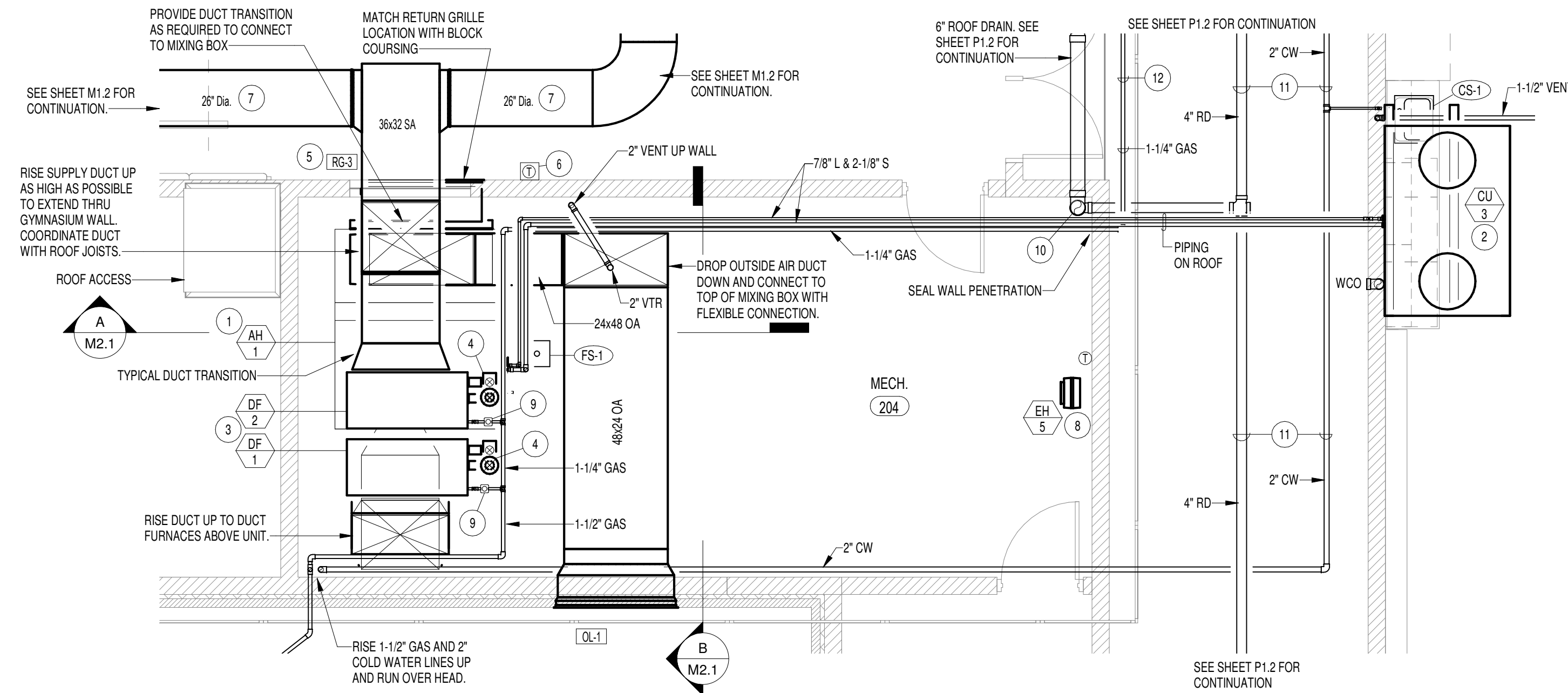


MECHANICAL SECTION A/M2.1
SCALE: 1/8" = 1'-0"



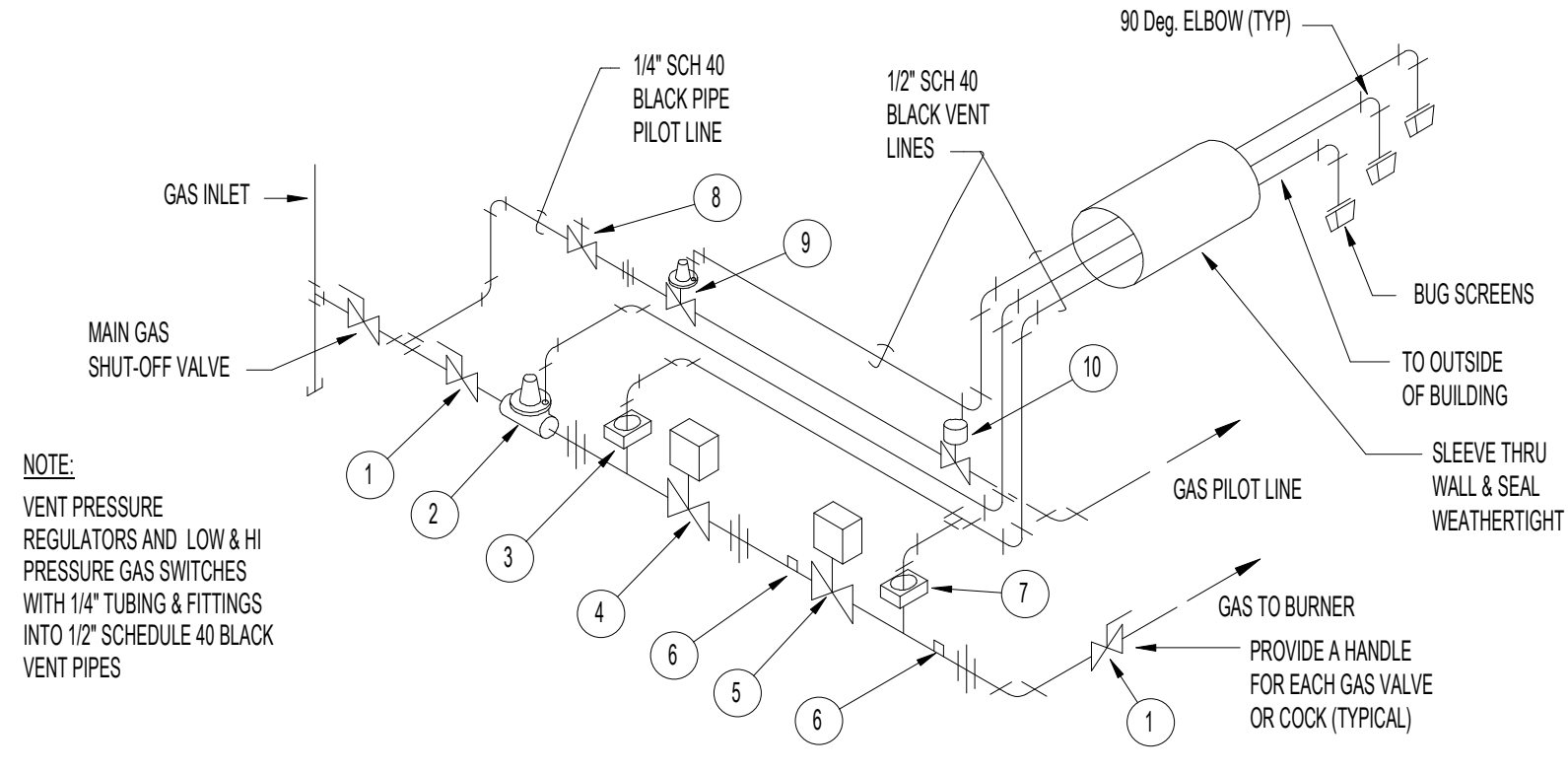
MECHANICAL SECTION B/M2.1
SCALE: 1/4" = 1'-0"



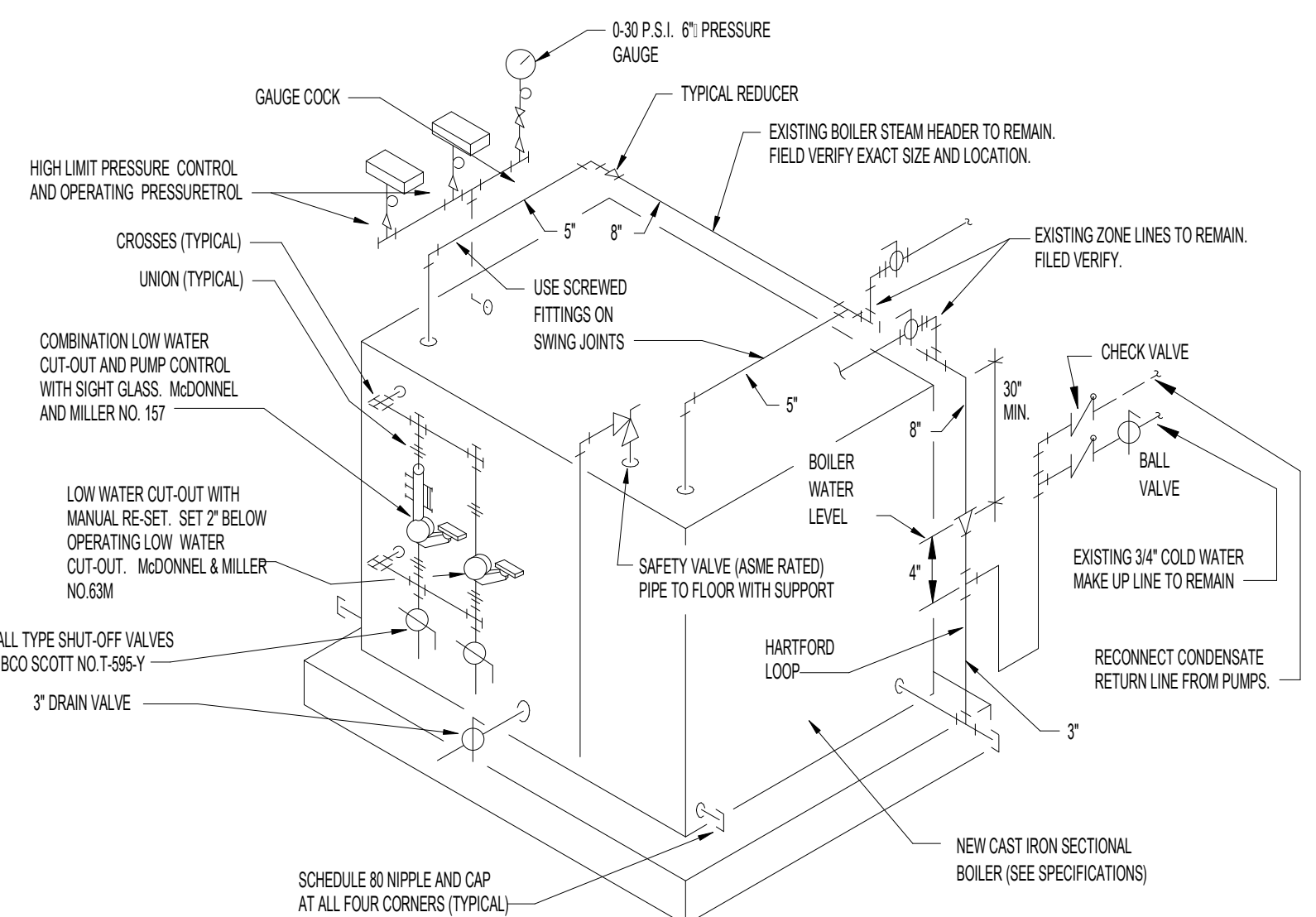
PART 2 - MECHANICAL FLOOR PLAN
SCALE: 1/8" = 1'-0"

LEGEND

NO.	ITEM	NO.	ITEM
1	MAIN LUBRICATED PLUG VALVE W/HANDLE	6	GAS PRESSURE GAGE CONN. 1/4" FNPT W/PLUG
2	MAIN GAS PRESSURE REGULATOR	7	HIGH PRESSURE GAS SWITCH
3	LOW PRESSURE GAS SWITCH	8	SHUT-OFF COCK
4	FLUID TYPE OPERATING GAS VALVE	9	PILOT GAS PRESSURE REGULATOR
5	SAFETY GAS VALVE	10	PILOT SOLENOID VALVE



AUTOMATIC GAS TRAIN INSTALLATION DETAIL
NO SCALE:

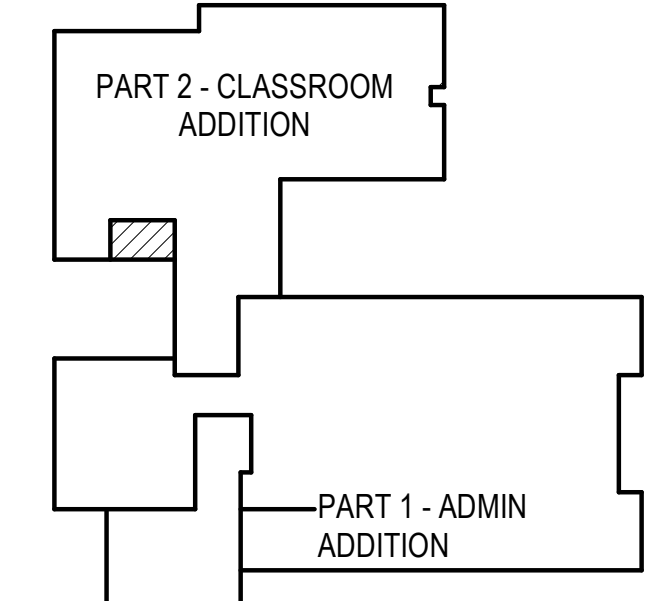


TYPICAL STEAM BOILER PIPING DIAGRAM
NO SCALE:

PLAN NOTES:

- 1 PROVIDE AND INSTALL NEW VERTICAL AIR HANDLER AS SPECIFIED COMPLETE WITH DX COOLING COIL. REFER TO LARGE SCALE PLAN ON SHEET M2.1 FOR PIPING AND DUCTWORK CONNECTIONS. PROVIDE SPRING TYPE VIBRATION ISOLATORS AT EACH CORNER OF UNIT.
- 2 MOUNT NEW CONDENSING UNIT ON ROOF FOR GYM AIR HANDLER. RUN REFRIGERANT LINES THRU WALL AND DROP DOWN AT UNIT TO CONNECT. REFER TO LARGE SCALE PLAN ON SHEET M2.1. MOUNT CONDENSING UNIT ON PYRAMID TYPE SUPPORTS. REFER TO DETAIL NM3.1 FOR TYPICAL INSTALLATION AND PIPING CONNECTIONS.
- 3 PROVIDE AND INSTALL GAS FIRED DUCT FURNACE AS SPECIFIED. MOUNT UNIT ABOVE AIR HANDLER AND SUPPORT FROM ROOF STRUCTURE WITH 3/8" DIA. RODS. PROVIDE TRANSITIONS AS REQUIRED TO CONNECT TO SUPPLY AIR DUCTWORK. REFER TO DETAIL GM3.2 FOR TYPICAL INSTALLATION OF UNIT.
- 4 RISE (2) 6" DIAMETER VENTS UP FROM EACH DUCT FURNACE. EXTEND THRU ROOF WITH CONCENTRIC TYPE FITTING. REFER TO DETAIL GM3.2 FOR TYPICAL VENTS THRU ROOF.
- 5 MOUNT RETURN GRILLE AT 6" ABOVE FLOOR. PROVIDE SLEEVE THRU WALL AND TRANSITION AS REQUIRED TO CONNECT TO AIR HANDLER MIXING BOX. MATCH GRILLE LOCATION WITH BRICK COURSING.
- 6 MOUNT NEW THERMOSTAT AND/OR SENSOR ON WALL AND CONNECT TO NEW CORRESPONDING EQUIPMENT. PROVIDE LOCKING METAL COVER OVER CONTROL DEVICE.
- 7 DUCTWORK TO BE RUN THRU ROOF JOISTS. COORDINATE DUCT LOCATION ON SITE WITH JOIST WEBBINGS.
- 8 PROVIDE AND INSTALL ELECTRIC HEATER AS SPECIFIED. MOUNT HEATER AT 10'-0" ABOVE FLOOR WITH WALL BRACKET. REFER TO DETAIL EM3.1 FOR TYPICAL INSTALLATION. PROVIDE WALL MOUNTED THERMOSTAT AND CONNECT TO CORRESPONDING HEATER.
- 9 REFER TO DETAIL OP3.1 FOR TYPICAL GAS LINE CONNECTION WITH SHUT-OFF VALVE AND FLEXIBLE HOSE.
- 10 DROP ROOF DRAIN LINE DOWN IN CORNER OF ROOM TO BELOW FLOOR. COORDINATE LINE WITH BUILDING FOUNDATION AND FOOTINGS. SUPPORT PIPING WITH WALL MOUNTED PIPE SUPPORTS AT 10'-0" MAXIMUM SPACING.
- 11 RUN ROOF DRAIN PIPING IN CEILING SPACE AND GRADE AT 1/8" SLOPE PER FOOT. RUN NEW WATER PIPING IN CEILING SPACE. COORDINATE ACTUAL ROUTING OF PIPING WITH DUCTWORK, BUILDING STRUCTURE AND ELECTRICAL CONDUITS.
- 12 RUN GAS LINE ON ROOF WITH PYRAMID TYPE SUPPORTS. REFER TO SHEET P1.2 FOR CONTINUATION.

KEY PLAN



GENERAL NOTES:

- A THE CONTRACTOR SHALL CHECK AND VERIFY ALL DIMENSIONS AND CONNECTIONS ON THE JOB SITE. ALL WORK SHALL BE EXECUTED FROM MEASUREMENTS TAKEN AT THE SITE.
- B THE MECHANICAL CONTRACTOR SHALL BE RESPONSIBLE TO INSURE PROPER CODE CLEARANCES FOR ELECTRICAL AND MECHANICAL ACCESS WHEN INSTALLING ANY EQUIPMENT SUPPLIED BY THE MECHANICAL CONTRACTOR.
- C IT IS CRITICAL THAT THIS CONTRACTOR COORDINATE EQUIPMENT LOCATIONS WITH PIPING, DUCTWORK, ELECTRICAL CONDUIT AND BUILDING STRUCTURE TO INSURE CODE COMPLIANCE.
- D CEILING DIFFUSERS ARE SHOWN IN APPROXIMATE LOCATIONS. REFER TO LIGHTING PLANS AND REFLECTED CEILING PLAN FOR EXACT LOCATIONS.
- E DUCT DIMENSIONS CALLED OUT ON DRAWINGS ARE INSIDE FREE AREA DIMENSIONS. ACOUSTICAL DUCT LINER ARE TO BE ADDED TO OVERALL MEASUREMENTS.
- F ALL DUCTWORK AND PIPING WHICH PASSES THRU FIRE RATED WALLS TO BE FIRE STOPPED WITH APPROVED FOAM OR SEALANT. REFER TO SPECIFICATIONS FOR APPROVED MANUFACTURERS.

ORIGINAL DRAWING SIGNED BY: DWAYNE C. SUDWEEKS
DATE ORIGINAL SIGNED: April 12, 2018 ORIGINAL ON FILE AT:
ENGINEERED SYSTEMS ASSOCIATES 1355 EAST CENTER,
POCATELLO, IDAHO 83201

Engineered Systems Associates
1355 EAST CENTER
POCATELLO, IDAHO 83201
PHONE: (208) 233-0501
FAX: (208) 233-0529
EMAIL: esa@engsystems.com
ESA JOB NUMBER: 18072

PROFESSIONAL ENGINEER
REGISTERED
DWAYNE C. SUDWEEKS
5762
4/12/19
STATE OF IDAHO

nbw architects.p.a.
ARCHITECTURE PLANNING INTERIORS
SCOTT L NELSON A.I.A. KEVIN R BODILY A.I.A. JAMES H WYATT A.I.A.
990 JOHN RIBB PARKWAY P.O. BOX 2212 - IDAHO FALLS, IDAHO 83402-2212
(208) 208-5228 (208) 208-5228 (208) 208-5228 (208) 208-5228

ADDITION & REMODEL FOR:
HARWOOD ELEMENTARY
JEFFERSON JOINT SCHOOL DISTRICT NO. 251
200 W 3RD N, RIGBY, IDAHO 83442

LARGE SCALE MECHANICAL PLANS AND SECTIONS

PROJECT:
REVISIONS

NO.	DESCRIPTION

PROJECT NO.
16070
DATE:
APRIL 2019
DRAWN BY:
M JENSEN
CHECKED BY:
D SUDWEEKS
DRAWING NO.:

M2.1